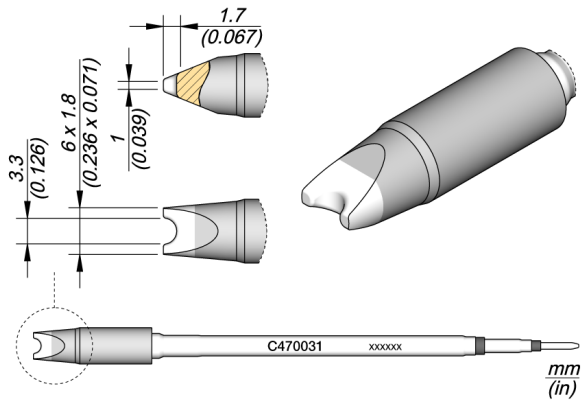


JBC C470031

Cartridge Round Connector Ø 3.2

JBC



This cartridge is specially appropriate for soldering cables and connectors.

Due to their size, these cartridges are appropriate for intensive soldering purposes and they are perfect for both SMD and applications with high power requirements.

They work with T470 HD Handles.

JBC Long Life Tips offer instant heat up, excellent heat transfer and great durability.

They last 5 times longer than other brands thanks to the JBC Most Efficient Soldering System and the Sleep & Hibernation features.

SPECIFICATIONS

Net weight	0,02 kg (0.04lb)
Package weight	27 gr (0.06 lb)
Package dimensions	183 x 60 x 34 mm
	7.20 x 2.36 x 1.34 in
	17 gr (0.04 lb)

