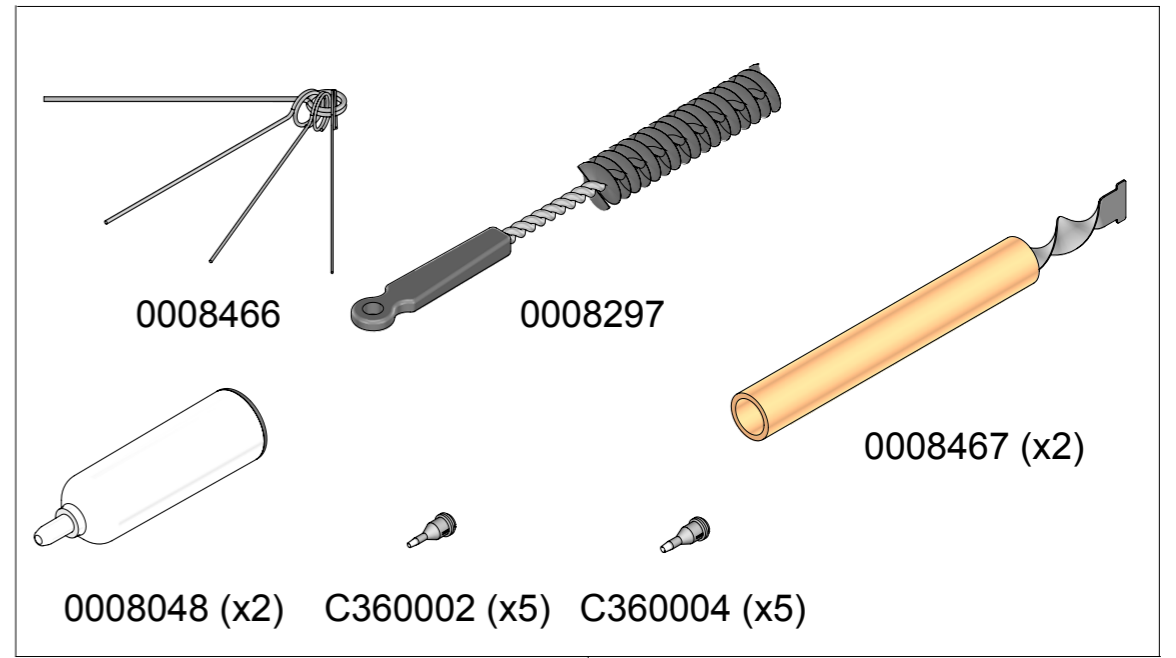


CDD
 Desoldering Station
 Ref.: **CS-9F** 100V
CS-1F 120V
CS-2F 230V

SPARE PARTS	
CONTROL UNIT:	
-CIRCUIT	0026107
-ENCLOSURE	0023639
-TOOL HOLDER	0014720
-SPLASHGUARD	0017576
-ANTISPLASH RUBBER	0017574
MS-A:	
-CIRCUIT	0017886
-ENCLOSURES:	
· TOP	0008197
· BOTTOM	0008198
· FRONT	0008835
· BACK	0008199
-PUMP	0005652

Ref.: **CS-9F** 100V FUSE T-2A
 Ref.: **CS-1F** 120V FUSE T-2A
 Ref.: **CS-2F** 230V FUSE T-1A



CONTROL UNIT

0024028

CC1001

0010433

0026107

0026830

CL0160

S0354

CL6210

MS-A

DS360-A

0005966

0821830

0781046

