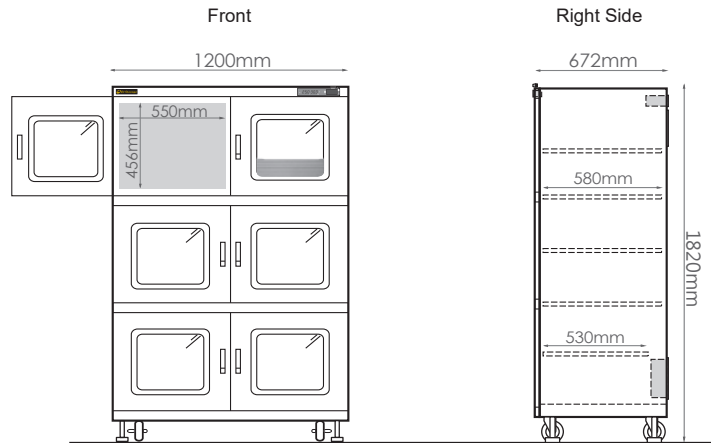
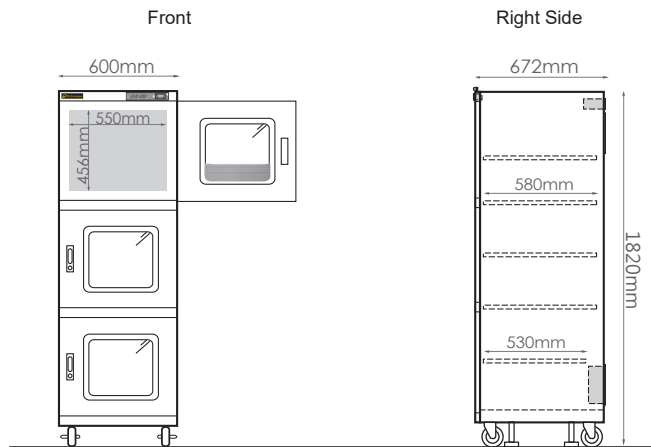


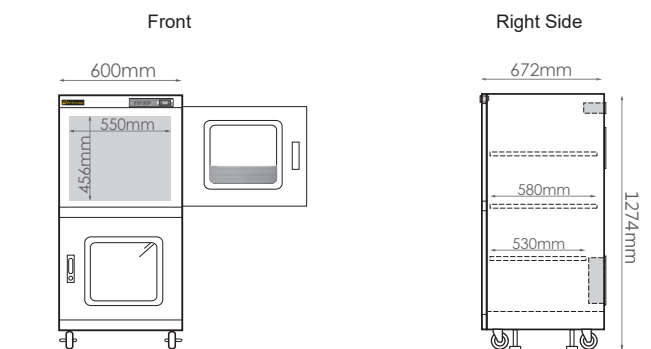
Model: QB-1200-6



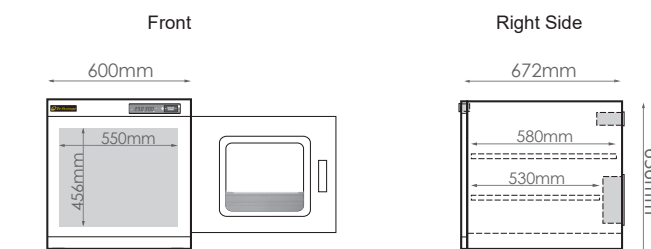
Model: QB-600



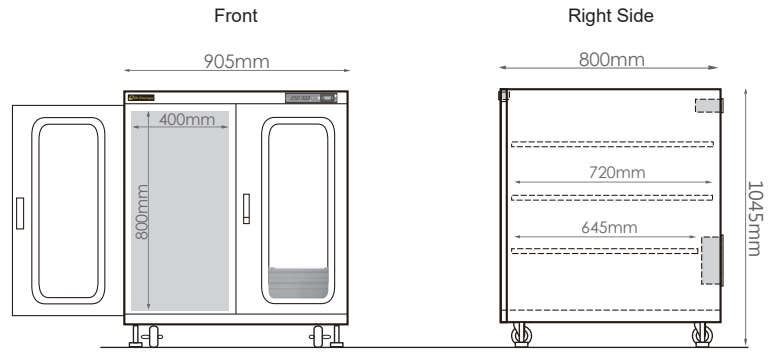
Model: QB-400



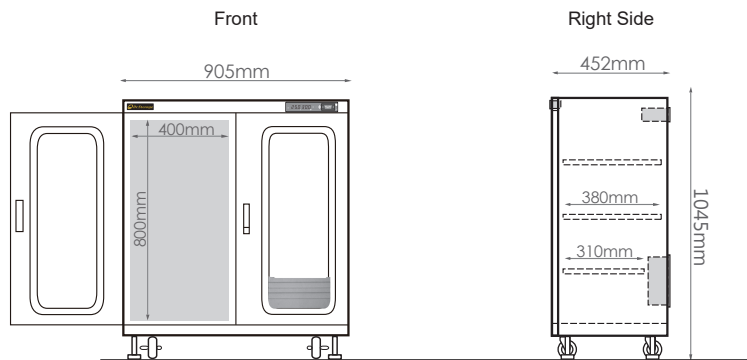
Model: QB-200



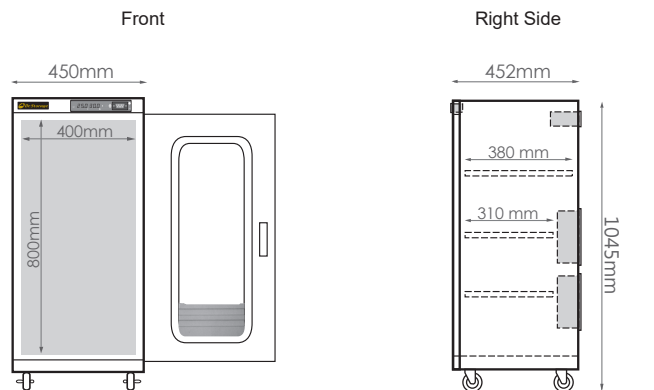
Model: QB-575



Model: QB-315



Model: QB-157



Features



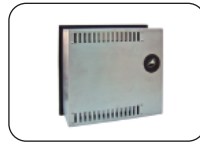
Humidity range : 1~50%RH (Adjustable)



Bins on the windows for color management and document management(Optional).



Embedded RS-232 port for a data logger recording and central monitoring system.



The nitrogen will stop as soon as the relative humidity reaches preset value. Inlet dia. : \varnothing 8mm

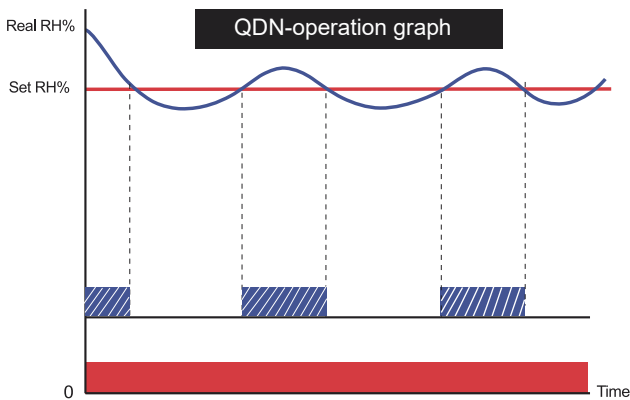


Sensor display comes with built-in alarm function.



Calibration reminding function.

Performance



N2 Consumption of N2 saving cabinet.

N2 saving system will stop the inflow of nitrogen air when preferred humidity inside the cabinet is reached. Huge amount of nitrogen cost can be saved right away.

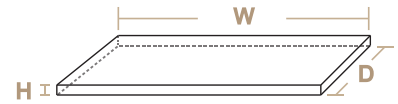
N2 Consumption of conventional cabinet.

Traditional N2 cabinet will have nitrogen air pumping into the cabinet all the time no matter what the humidity inside the cabinet is.

Specifications

Model	QB-1200-6	QB-600	QB-400	QB-200	QB-575	QB-315	QB-157
External Size W*D*H(mm)	1200*672*1820	600*672*1820	600*672*1274	600*672*636	905*800*1045	905*452*1045	450*452*1045
Internal Size W*D*H(mm)	1164*612*1600	564*630*1600	564*630*1055	564*630*508	869*758*852	869*410*852	414*410*852
Capacity(L)	1250	624	413	202	598	328	164
Adjustable Shelves	4pcs of 1-2 1pc of 1-1	4pcs of 1-4 1pc of 1-3	2pcs of 1-4 1pc of 1-3	1pc of 1-4 1pc of 1-3	2pcs of 1-6 1pc of 1-5	2pcs of 1-8 1pc of 1-7	1pc of 1-10 2pcs of 1-9
Door(s)	6	3	2	1	2	2	1
Sensor Display	Precision : $\pm 3\%RH$ (@25°C · 1~50%RH) · $\pm 1^\circ C$ / Resolution : 0.1%RH · 0.1°C / Embedded RS-232 port and built-in alarm function						
Cabinet Structure	1mm carbon steel with antistatic black paint / Antistatic glass window(s) and gray window frame. Static dissipative range 10 ³ ~10 ⁷ Ω / Grounding wire: 1MΩ(length 1.95M)						
Voltage	110V or 230V (Select In Advance)						
Power Consumption	110V · 230V : 6Wh(Ave.) · 15W(Max.)						

The best performance is achieved under the ambient condition below 25°C and 50%RH



Item	1
Item Name	Shelf
Picture	

Item	Model	Size
1 - 1	1200-6	W1155*D530*H20mm
1 - 2	1200-6	W1155*D580*H20mm
1 - 3	600/400/200	W555*D530*H20mm
1 - 4	600/400/200	W555*D580*H20mm
1 - 5	575	W860*D645*H20mm
1 - 6	575	W860*D720*H20mm
1 - 7	315	W860*D310*H20mm
1 - 8	315	W860*D380*H20mm
1 - 9	157	W405*D310*H20mm
1 - 10	157	W405*D380*H20mm

Item	2
Item Name	Stainless Steel Shelf
Picture	

Item	Model	Size
2 - 1	1200-6	W1155*D530*H20mm
2 - 2	1200-6	W1155*D580*H20mm
2 - 3	600/400/200	W555*D530*H20mm
2 - 4	600/400/200	W555*D580*H20mm

Item	3	4	5
Item Name	GT-05 Data Logger	External Alarm Tower	Flow Meter
Description	Memory capacity 40,000 records.	When the Rh exceeds the preset value, it will flash and buzz (100-120 dB).	Spec:10-60L/min Inlet dia. : Ø8mm
Picture			

Item	6	
Item Name	Storage Bin	
Description	Max Load Weight : 5kg External Size : W395*D40*H98mm Internal Size : W365*D30*H90mm	Max Load Weight : 5kg External Size : W237*D40*H98mm Internal Size : W210*D28*H87mm
Picture	<p>Available for QB-1200-6/600/400/200</p>	<p>Available for QB-575/315/157</p>